

Storage

Stuff goes here ->

Mat X

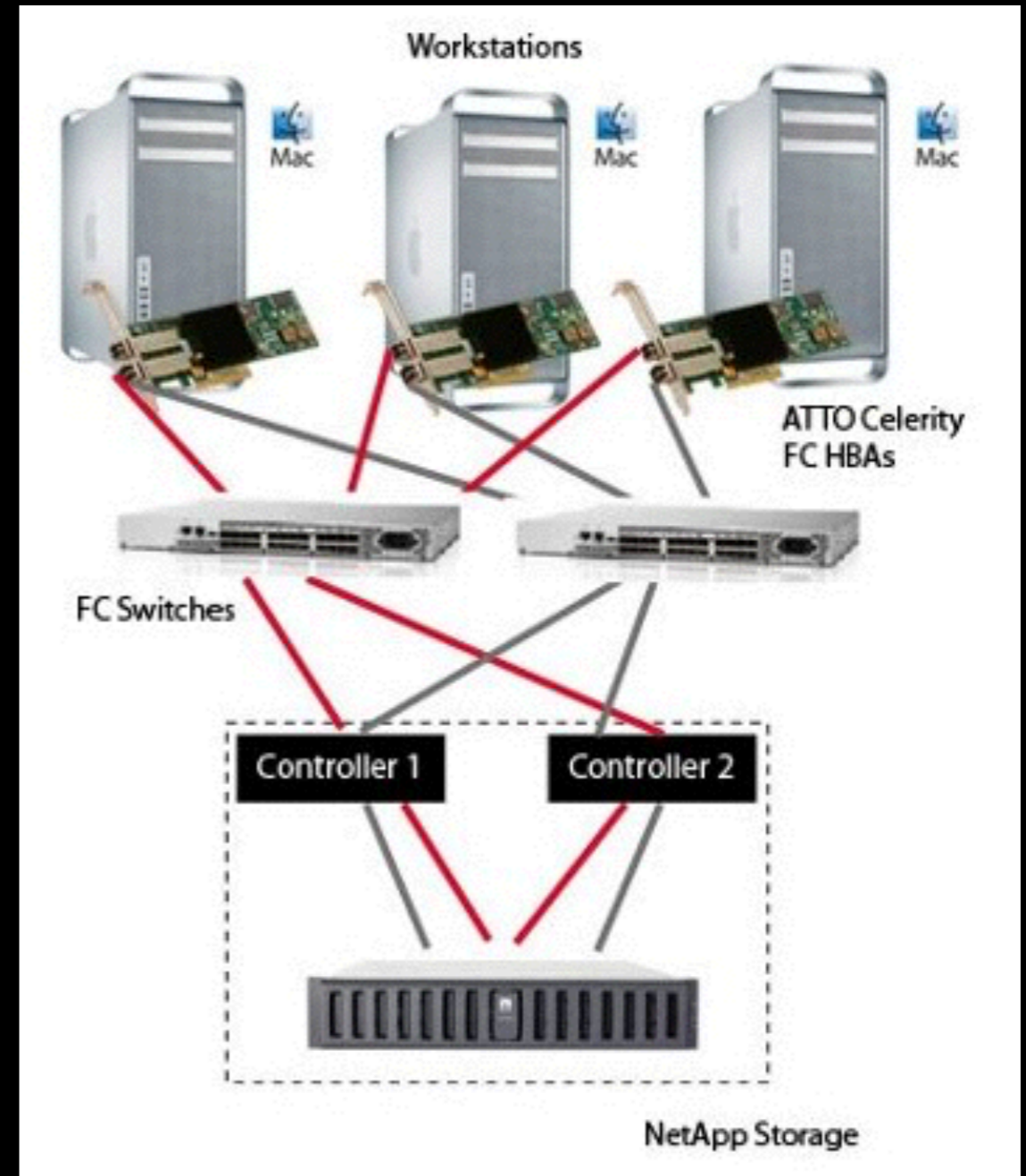
DAM, SAN, Backups



SAN

SAN: Storage Area Network

- Xsan (Fibre Channel)
- StorNext (Fibre Channel)
- DDP (iSCSI)
- Accusys (PCIe + Thunderbolt)

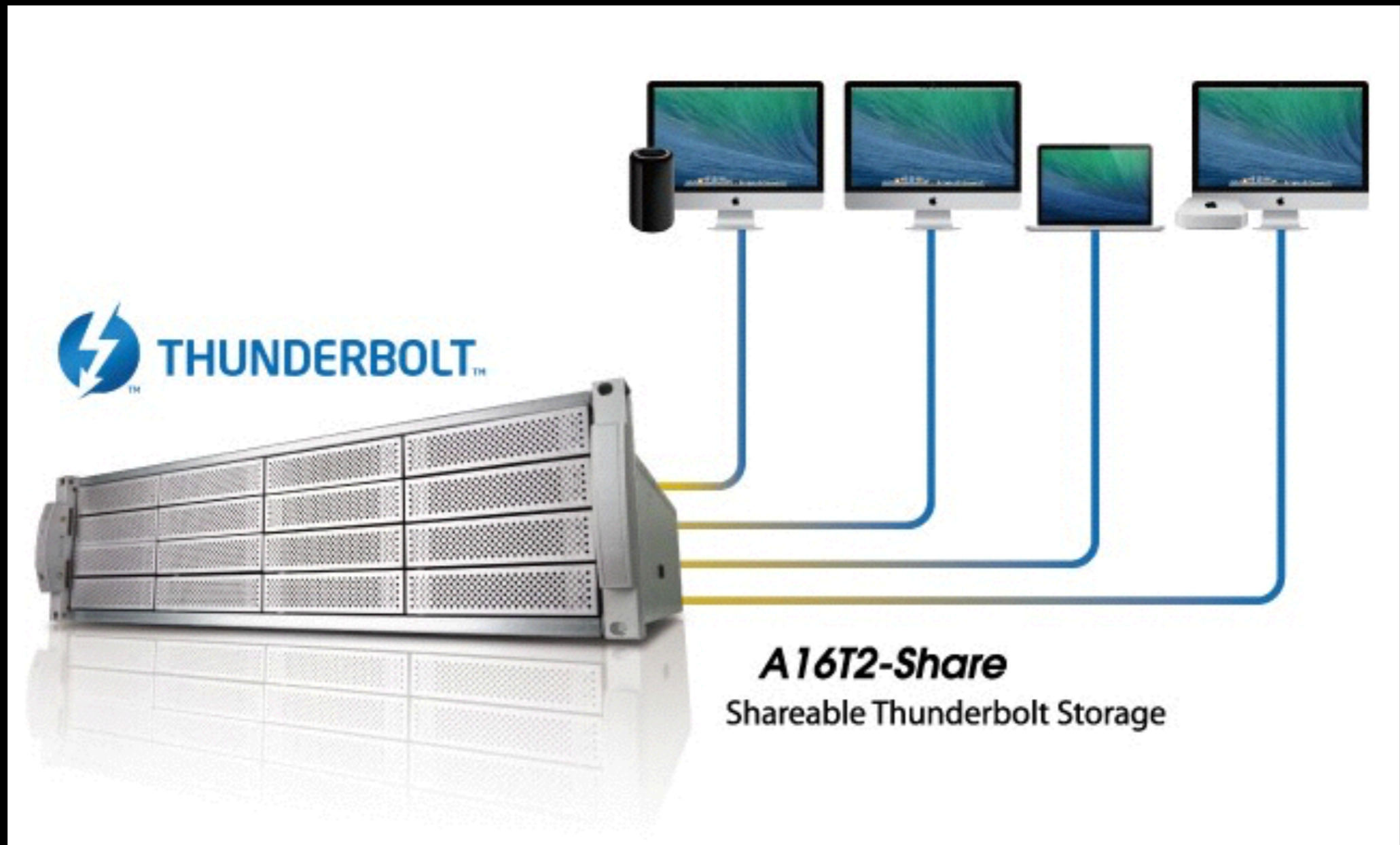


Accusys

- Taiwanese company operating since 1995
- Build PCIe raid, storage and switch products
- Market PCIe SAN “ExaSAN” since 2010
- Thunderbolt SAN with A16T2 announced in 2015
- A smaller A12T2 desktop model coming next

Accusys A612-T2

- 4 Thunderbolt connections
- No fibre channel
- 16 bay rack mounted chassis
- Expansion slot for connecting extra RAID units



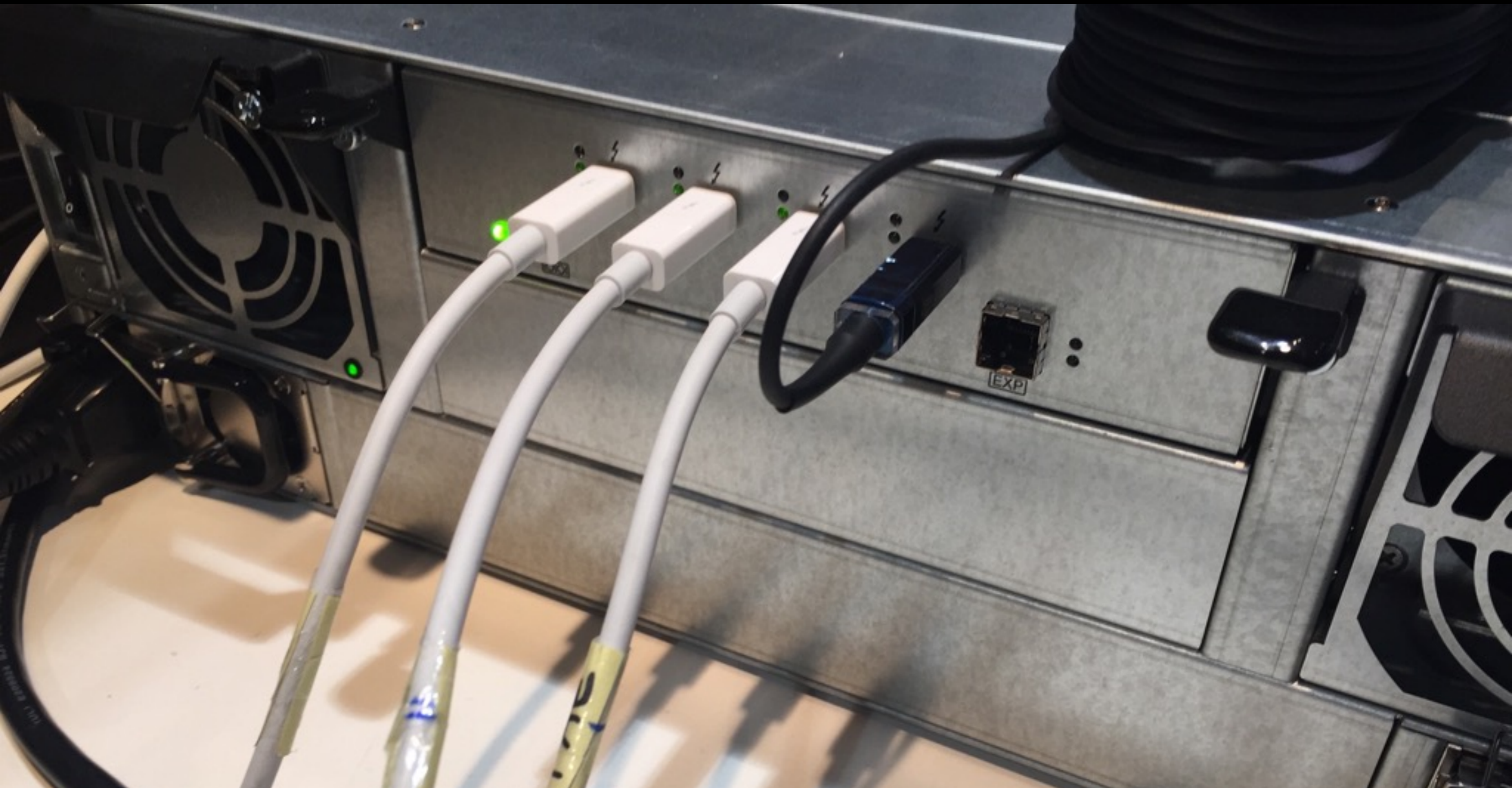
Accusys A16T2-Share

Using 4 Thunderbolt connections to connect

16 drives



Four Thunderbolt



Fast



Cons

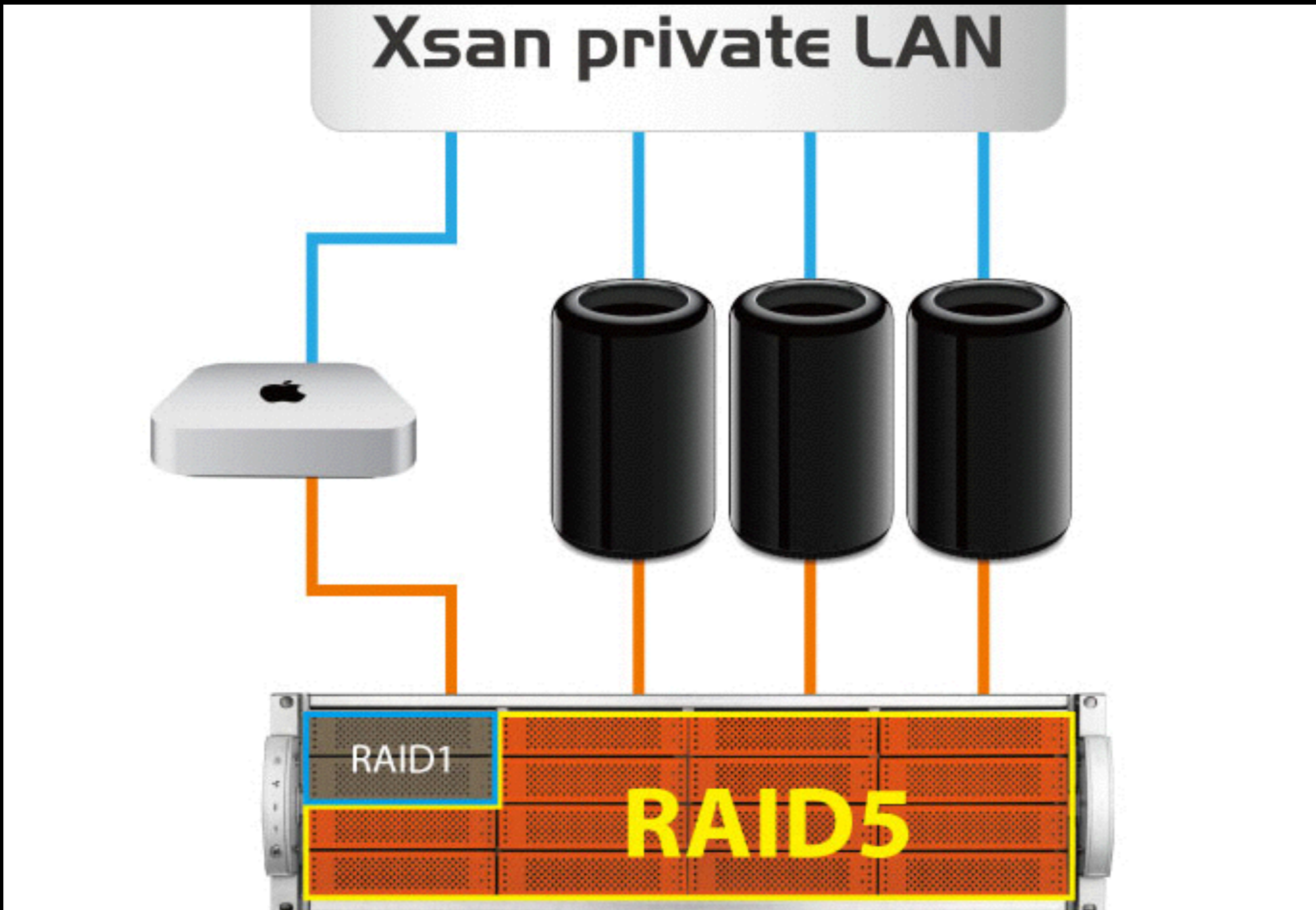
What's not awesome?

- There are only 4 Thunderbolt connections
- Only 1 RAID controller
- Is not Enterprise SAN big or level of complexity
- Using one Xsan controller you are left with only three client connections

Pros

What is awesome?

- Four (4) thunderbolt connections
- No Fibre Channel to Thunderbolt adapter needed
- Affordable and expandable
- Great for small production groups (2-3 clients)
- Use with Xsan (for free)



Build your own Xsan with A16T2

<http://www.accusys.com.tw/reference/white-paper/524-let's-take-a-look-how-to-simply-set-up-a-16t2share-with-xsan.html>



MacDevOps:YVR conf
June 16-17, 2016.

Contact:
yvr AT macdevops DOT ca